

Device Stands

Square Flanged, Through Hole Type

■ Features: Smaller vertical dimension enables mounting in narrow spaces.

■ Sets (Posts + Brackets)

■ Sets (Posts + Brackets)

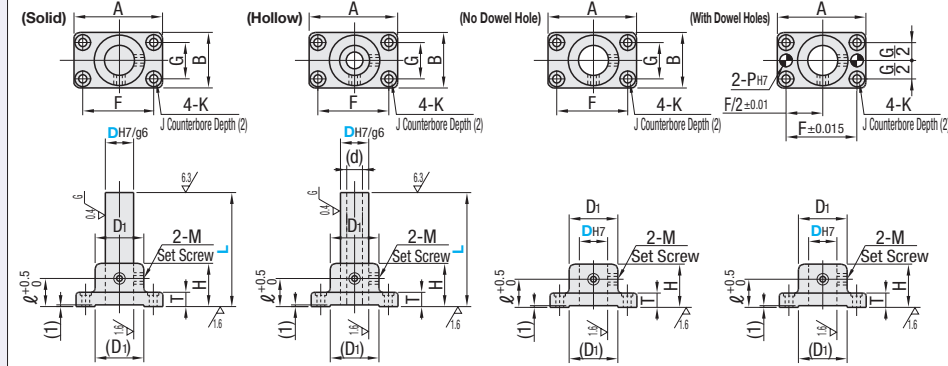
Type		Post		Bracket		Accessory	
Square Flanged	Square Flanged, Dowel Holes	Material	Surface Treatment	Material	Surface Treatment	Solid	Hollow
ASTN	ASTA	ASTN	ASTA	ASTN	ASTA	ASTN	ASTA
MASTN	MASTA	MASP	MASPA	MASTN	MASTA	MASP	MASPA
KASTN	KASTA	KASP	KASPA	KASTN	KASTA	KASP	KASPA
ASTNM	ASTAM	ASTNM	ASTAM	ASTNM	ASTAM	ASTNM	ASTAM
MASTNM	MASTAM	MASTNM	MASTAM	MASTNM	MASTAM	MASTNM	MASTAM
SASTNM	SASTAM	SASTNM	SASTAM	SASTNM	SASTAM	SASTNM	SASTAM

■ Bracket only

Type		Material	Surface Treatment	Accessory
No Dowel Hole	With Dowel Holes			
ASTF	ASPF	EN-JL 1040 Equiv.	Black oxide or Phosphate Conversion Coat	Set Screw Dowel Pin (EN 1.3505 Equiv.)
ASTFM		EN-JL 1040 Equiv.	Electroless Nickel Plating	Set Screw

* Case Induction Hardened (Post): 58HRC -, Depth 1.0 ~ 1.5
 * There may be no electroless nickel plating and black oxide at ends and grooves of posts.
 * For Hex Socket Head Cap Screws, a black oxide bracket matches a black oxide screw, and an electroless nickel plating bracket matches a trivalent chromate screw.

■ Sets (Posts + Brackets)



■ Bracket only



RoHS10

Part Number	Type	Dg6	L 1mm Increment	Bracket with Dowel Holes										Included Hex Socket Head Cap Screw					
				A	B	F	G	D1	H	T	l	K	J		M	(d)			
10	Set	-0.005/-0.014	50~250	56	30	40	14	26	35	12	18	4.5	11	M4	6	-	-	-	M4-20x4 pcs.
12	Set	-0.006	50~300	62	36	44	18	28	35	12	18	5.5	13	M4	6	-	-	-	M5-20x4 pcs.
15	Set	-0.017	75~350	70	40	50	20	31	40	12	20	6.6	15	M5	10	-	-	-	M6-25x4 pcs.
20	Set	-0.007	75~400	80	50	60	30	40	45	12	25	6.6	15	M5	11.7	6	+0.012/0	MSTM6-20	M6-25x4 pcs.
25	Set	-0.020	75~450	100	60	75	36	45	50	12	30	9	18	M6	15.2	8	+0.015/0	MSTM8-20	M8-25x4 pcs.
30	Set	-0.020	100~450	106	60	80	36	50	60	15	40	11	20	M8	20.1	10	+0.015/0	MSTM10-30	M10-35x4 pcs.
35	Set	-0.009	125~500	118	80	90	40	55	70	15	40	11	20	M8	22.7	10	+0.015/0	MSTM10-30	M10-35x4 pcs.
40	Set	-0.025	150~500	125	90	100	50	60	80	15	50	14	24	M10	30.8	10	+0.015/0	MSTM10-30	M12-35x4 pcs.

☑ Bracket ASPF with Dowel Holes is available from D20. ☑ For available sizes of the brackets, refer to the price list.

Part Number	-	L
ASTN40	-	400
ASTF20	-	400

■ Square Flanged Set

D	L	Unit Price															
		Solid						Hollow									
		ASTN	MASTN	KASTN	SASTN	ASTNM	MASTNM	KASTNM	SASTNM	ASTA	MASTA	KASTA	SASTA	ASTAM	MASTAM	KASTAM	SASTAM
10	50-150																
10	151-250																
12	50-150																
12	151-300																
15	75-200																
15	201-350																
20	75-200																
20	201-400																
25	75-200																
25	201-450																
30	100-200																
30	201-450																
35	125-300																
35	301-500																
40	150-300																
40	301-500																
50	200-300																
50	301-600																

■ Square Flanged with Dowel Holes Set

D	L	Unit Price							
		Solid				Hollow			
		ASP	MASP	KASP	SASP	ASPA	MASPA	KASPA	SASPA
20	75-200								
20	201-400								
25	75-200								
25	201-450								
30	100-200								
30	201-450								
35	125-300								
35	301-500								
40	150-300								
40	301-500								
50	200-300								
50	301-600								

■ Bracket only

DH7	Tolerance	Unit Price		
		ASTF	ASTFM	ASPF
10	+0.015/0			
12	+0.018/0			
15	0			
20	+0.021/0			
25	0			
30	+0.025/0			
40	0			
50	0			

Alterations	Part Number	-	L	(BH)
	ASTA25	-	400	BH

Alteration	Code	Spec.	
		D	Spec.
Mounting Holes Enlarged	BH	D	Included Washer (P. 2-113)
		Included Screw	Black Oxide
		Adj. Range	Electroless Nickel Plating
		d1	WSSB10-4-2
		d2	WSSM10-4-2
		10	M4
		12	M5
		15	M6
		20	M8
		25	M10
30	M12		
35	M14		
40	M16		
50	M20		

Device Stands

Square Flanged, Slotted Hole Type

■ Features: Slotted holes enable fine adjustments when mounting.

■ Sets (Posts + Brackets)

■ Sets (Posts + Brackets)

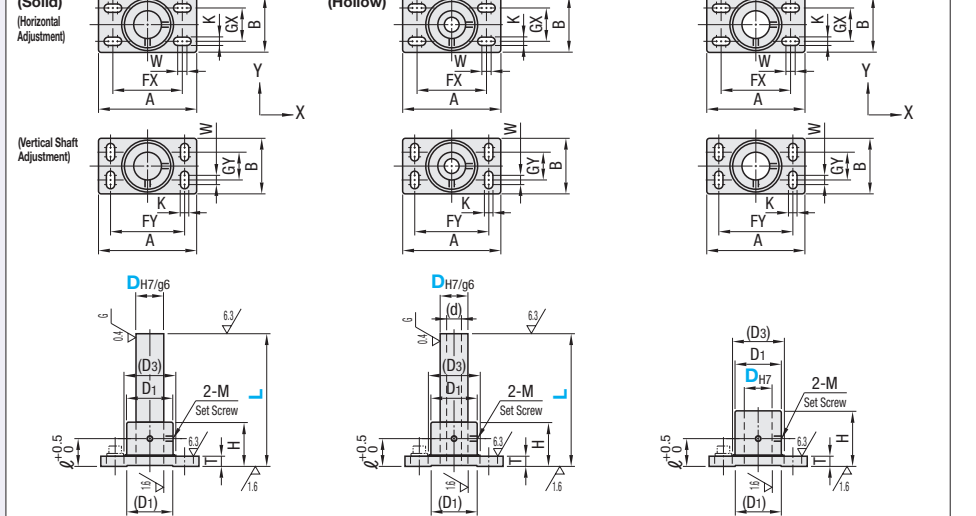
Type		Post		Bracket		Accessory	
Horizontal Adjustment	Vertical Adjustment	Material	Surface Treatment	Material	Surface Treatment	Solid	Hollow
ASTX	ASPX	ASTX	ASPX	ASTX	ASPX	ASTX	ASPX
AQTX	AQPX	AQTX	AQPX	AQTX	AQPX	AQTX	AQPX
AMTX	AMPX	AMTX	AMPX	AMTX	AMPX	AMTX	AMPX
APTX	APPX	APTX	APPX	APTX	APPX	APTX	APPX
ACTX	ACPX	ACTX	ACPX	ACTX	ACPX	ACTX	ACPX

■ Bracket only

Type		Material	Surface Treatment	Accessory
Horizontal Adjustment	Vertical Adjustment			
ABFX	ABFY	EN-JL 1040 Equiv.	Black oxide or Phosphate Conversion Coat	Set Screw
AMFX	AMFY	EN-JL 1040 Equiv.	Electroless Nickel Plating	Set Screw

* Case Induction Hardened (Post): 58HRC -, Depth 1.0 ~ 1.5
 * There may be no electroless nickel plating at ends and grooves of posts.
 * For Hex Socket Head Cap Screws, a black oxide bracket matches a black oxide screw, and an electroless nickel plating bracket matches a trivalent chromate screw.
 ☑ Surface treatment may not be applied to the inside of the slotted holes. ☑ The mounting pitch differs from the Square Flanged (P.2149).

■ Sets (Posts + Brackets)



■ Bracket only



RoHS10

Part Number	Type	Dg6	L 1mm Increment	Adj. Range	Bracket with Dowel Holes										Included Hex Socket Head Cap Screw					
					A	B	FX	FY	GX	GY	K	W	D1	(D3)		H	T	l	M	(d)
10	Set	-0.005/-0.014	50~250	±2.5	56	30	40	40	14	14	4.5	5	26	28	35	11	18	M4	6.0	M4-20x4 pcs.
12	Set	-0.006	50~300	±2.5	62	36	44	44	18	18	5.5	5	28	30	35	11	18	M4	6.0	M5-25x4 pcs.
15	Set	-0.017	75~350	±3	70	40	50	50	20	20	6.6	6	31	33	40	20	20	M5	10.0	M6-25x4 pcs.
20	Set	-0.007	75~400	±5	80	50	60	60	35	25	6.6	6	40	43	45	25	25	M5	11.7	M6-25x4 pcs.
25	Set	-0.020	75~450	±5	100	60	70	75	36	30	9	10	45	52	50	11	30	M6	15.2	M8-25x4 pcs.
30	Set	-0.020	100~450	±5	106	60	75	80	36	30	9	10	50	56	60	11	30	M6	16.0	M8-25x4 pcs.
35	Set	-0.009	125~500	±7.5	118	80	80	90	50	40	11	15	55	60	70	14	40	M8	20.1	M10-35x4 pcs.
40	Set	-0.025	150~500	±7.5	125	80	88	95	50	40	11	15	60	66	80	14	40	M8	22.7	M10-35x4 pcs.
50	Set	-0.025	200~600	±10	140	100	95	106	70	50	14	20	70	77	100	14	50	M10	30.8	M12-35x4 pcs.

☑ For available sizes of the brackets, refer to the price list.

Ordering Example	Part Number	-	L
	ASPX30	-	400
	ABFY20	-	400

■ Sets (Posts + Brackets)

D	L	Unit Price										
		Solid				Hollow						
		ASTX	AQTX	AMTX	APT	ACTX	ASPX	AQPX	AMPX	APPX	ACPX	ACPY
10	50-150											
10	151-250											
12	50-150											
12	151-300											
15	75-200											
15	201-350											
20	75-200											
20	201-400											
25	75-200											
25	201-450											
30	100-200											
30	201-450											
35	125-300											
35	301-500											
40	150-300											
40	301-500											
50	200-300											
50	301-600											