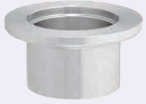
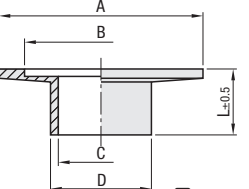

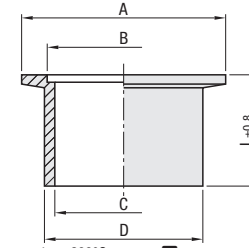

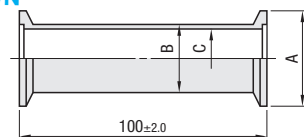

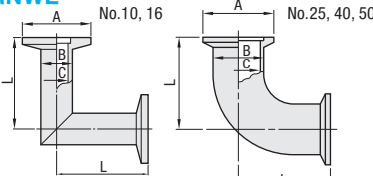

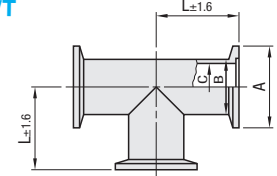

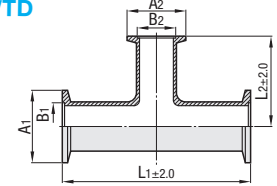

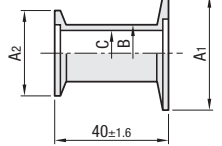



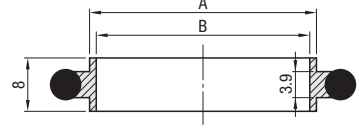

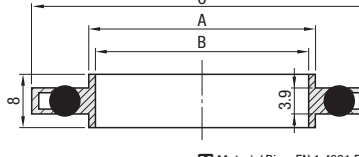

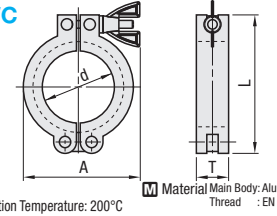

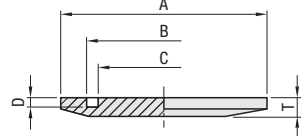

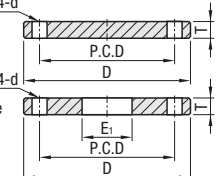

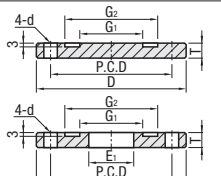
Fittings for Vacuum Plumbing

NW (KF) Flanged

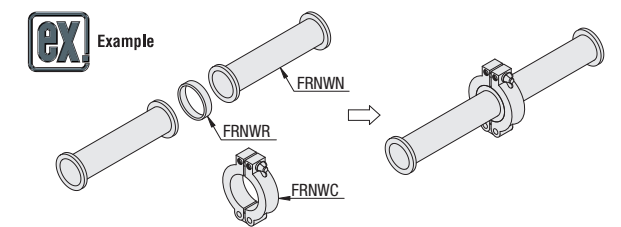
 <p>RoHS10</p>	FRNWF  <p>Max. Operation Temperature: 200°C Material: EN 1.4301 Equiv.</p>																																											
	<table border="1"> <thead> <tr> <th>Part Number</th> <th>Type</th> <th>No.</th> <th>A</th> <th>B</th> <th>C</th> <th>D</th> <th>L</th> <th>Unit Price</th> </tr> </thead> <tbody> <tr> <td rowspan="5">FRNWF</td> <td>10</td> <td>30</td> <td>12.2</td> <td>10.0</td> <td>13.8</td> <td rowspan="5">20</td> <td rowspan="5"></td> <td rowspan="5"></td> </tr> <tr> <td>16</td> <td>30</td> <td>17.2</td> <td>17.5</td> <td>21.7</td> </tr> <tr> <td>25</td> <td>40</td> <td>26.2</td> <td>23.0</td> <td>27.2</td> </tr> <tr> <td>40</td> <td>55</td> <td>41.2</td> <td>37.1</td> <td>42.7</td> </tr> <tr> <td>50</td> <td>75</td> <td>52.2</td> <td>54.9</td> <td>60.5</td> </tr> </tbody> </table> <p>For orders larger than indicated quantity, please check with WOS.</p>	Part Number	Type	No.	A	B	C	D	L	Unit Price	FRNWF	10	30	12.2	10.0	13.8	20			16	30	17.2	17.5	21.7	25	40	26.2	23.0	27.2	40	55	41.2	37.1	42.7	50	75	52.2	54.9	60.5					
Part Number	Type	No.	A	B	C	D	L	Unit Price																																				
FRNWF	10	30	12.2	10.0	13.8	20																																						
	16	30	17.2	17.5	21.7																																							
	25	40	26.2	23.0	27.2																																							
	40	55	41.2	37.1	42.7																																							
	50	75	52.2	54.9	60.5																																							
 <p>RoHS10</p>	FRNWLFL  <p>Max. Operation Temperature: 200°C Material: EN 1.4301 Equiv.</p>																																											
	<table border="1"> <thead> <tr> <th>Part Number</th> <th>Type</th> <th>No.</th> <th>A</th> <th>B</th> <th>C</th> <th>D</th> <th>L</th> <th>Unit Price</th> </tr> </thead> <tbody> <tr> <td rowspan="5">FRNWLFL</td> <td>10</td> <td>30</td> <td>12.2</td> <td>10.0</td> <td>13.8</td> <td rowspan="5">50</td> <td rowspan="5"></td> <td rowspan="5"></td> </tr> <tr> <td>16</td> <td>30</td> <td>17.2</td> <td>17.5</td> <td>21.7</td> </tr> <tr> <td>25</td> <td>40</td> <td>26.2</td> <td>23.0</td> <td>27.2</td> </tr> <tr> <td>40</td> <td>55</td> <td>41.2</td> <td>37.1</td> <td>42.7</td> </tr> <tr> <td>50</td> <td>75</td> <td>52.2</td> <td>54.9</td> <td>60.5</td> </tr> </tbody> </table> <p>For orders larger than indicated quantity, please check with WOS.</p>	Part Number	Type	No.	A	B	C	D	L	Unit Price	FRNWLFL	10	30	12.2	10.0	13.8	50			16	30	17.2	17.5	21.7	25	40	26.2	23.0	27.2	40	55	41.2	37.1	42.7	50	75	52.2	54.9	60.5					
Part Number	Type	No.	A	B	C	D	L	Unit Price																																				
FRNWLFL	10	30	12.2	10.0	13.8	50																																						
	16	30	17.2	17.5	21.7																																							
	25	40	26.2	23.0	27.2																																							
	40	55	41.2	37.1	42.7																																							
	50	75	52.2	54.9	60.5																																							
 <p>RoHS10</p>	FRNWN  <p>Max. Operation Temperature: 200°C Material: EN 1.4301 Equiv.</p>																																											
	<table border="1"> <thead> <tr> <th>Part Number</th> <th>Type</th> <th>No.</th> <th>A</th> <th>B</th> <th>C</th> <th>Unit Price</th> </tr> </thead> <tbody> <tr> <td rowspan="5">FRNWN</td> <td>10</td> <td>30</td> <td>13.8</td> <td>10.0</td> <td></td> <td></td> </tr> <tr> <td>16</td> <td>30</td> <td>21.7</td> <td>17.5</td> <td></td> <td></td> </tr> <tr> <td>25</td> <td>40</td> <td>27.2</td> <td>23.0</td> <td></td> <td></td> </tr> <tr> <td>40</td> <td>55</td> <td>42.7</td> <td>37.1</td> <td></td> <td></td> </tr> <tr> <td>50</td> <td>75</td> <td>60.5</td> <td>54.9</td> <td></td> <td></td> </tr> </tbody> </table> <p>For orders larger than indicated quantity, please check with WOS.</p>	Part Number	Type	No.	A	B	C	Unit Price	FRNWN	10	30	13.8	10.0			16	30	21.7	17.5			25	40	27.2	23.0			40	55	42.7	37.1			50	75	60.5	54.9							
Part Number	Type	No.	A	B	C	Unit Price																																						
FRNWN	10	30	13.8	10.0																																								
	16	30	21.7	17.5																																								
	25	40	27.2	23.0																																								
	40	55	42.7	37.1																																								
	50	75	60.5	54.9																																								
 <p>RoHS10</p>	FRNWE  <p>Max. Operation Temperature: 200°C Material: EN 1.4301 Equiv.</p>																																											
	<table border="1"> <thead> <tr> <th>Part Number</th> <th>Type</th> <th>No.</th> <th>A</th> <th>B</th> <th>C</th> <th>L±2.0</th> <th>Unit Price</th> </tr> </thead> <tbody> <tr> <td rowspan="5">FRNWE</td> <td>10</td> <td>30</td> <td>13.8</td> <td>10</td> <td>40</td> <td></td> <td></td> </tr> <tr> <td>16</td> <td>30</td> <td>21.7</td> <td>16</td> <td>40</td> <td></td> <td></td> </tr> <tr> <td>25</td> <td>40</td> <td>27.2</td> <td>23</td> <td>50</td> <td></td> <td></td> </tr> <tr> <td>40</td> <td>55</td> <td>42.7</td> <td>37.1</td> <td>65</td> <td></td> <td></td> </tr> <tr> <td>50</td> <td>75</td> <td>60.5</td> <td>54.9</td> <td>80</td> <td></td> <td></td> </tr> </tbody> </table> <p>For orders larger than indicated quantity, please check with WOS.</p>	Part Number	Type	No.	A	B	C	L±2.0	Unit Price	FRNWE	10	30	13.8	10	40			16	30	21.7	16	40			25	40	27.2	23	50			40	55	42.7	37.1	65			50	75	60.5	54.9	80	
Part Number	Type	No.	A	B	C	L±2.0	Unit Price																																					
FRNWE	10	30	13.8	10	40																																							
	16	30	21.7	16	40																																							
	25	40	27.2	23	50																																							
	40	55	42.7	37.1	65																																							
	50	75	60.5	54.9	80																																							
 <p>RoHS10</p>	FRNWT  <p>Max. Operation Temperature: 200°C Material: EN 1.4301 Equiv.</p>																																											
	<table border="1"> <thead> <tr> <th>Part Number</th> <th>Type</th> <th>No.</th> <th>A</th> <th>B</th> <th>C</th> <th>L</th> <th>Unit Price</th> </tr> </thead> <tbody> <tr> <td rowspan="5">FRNWT</td> <td>10</td> <td>30</td> <td>13.8</td> <td>10</td> <td>40</td> <td></td> <td></td> </tr> <tr> <td>16</td> <td>30</td> <td>21.7</td> <td>16</td> <td>40</td> <td></td> <td></td> </tr> <tr> <td>25</td> <td>40</td> <td>27.2</td> <td>23</td> <td>50</td> <td></td> <td></td> </tr> <tr> <td>40</td> <td>55</td> <td>42.7</td> <td>37.1</td> <td>65</td> <td></td> <td></td> </tr> <tr> <td>50</td> <td>75</td> <td>60.5</td> <td>54.9</td> <td>80</td> <td></td> <td></td> </tr> </tbody> </table> <p>For orders larger than indicated quantity, please check with WOS.</p>	Part Number	Type	No.	A	B	C	L	Unit Price	FRNWT	10	30	13.8	10	40			16	30	21.7	16	40			25	40	27.2	23	50			40	55	42.7	37.1	65			50	75	60.5	54.9	80	
Part Number	Type	No.	A	B	C	L	Unit Price																																					
FRNWT	10	30	13.8	10	40																																							
	16	30	21.7	16	40																																							
	25	40	27.2	23	50																																							
	40	55	42.7	37.1	65																																							
	50	75	60.5	54.9	80																																							
 <p>RoHS10</p>	FRNWTD  <p>Max. Operation Temperature: 200°C Material: EN 1.4301 Equiv.</p>																																											
	<table border="1"> <thead> <tr> <th>Part Number</th> <th>Type</th> <th>No.</th> <th>A1</th> <th>B1</th> <th>L1</th> <th>A2</th> <th>B2</th> <th>L2</th> <th>Unit Price</th> </tr> </thead> <tbody> <tr> <td rowspan="3">FRNWTD</td> <td>25-16</td> <td>40</td> <td>27.2</td> <td>97.2</td> <td>30</td> <td>21.7</td> <td>48.6</td> <td></td> <td></td> </tr> <tr> <td>40-25</td> <td>55</td> <td>42.7</td> <td>135.2</td> <td>40</td> <td>27.2</td> <td>67.6</td> <td></td> <td></td> </tr> <tr> <td>50-25</td> <td>75</td> <td>40</td> <td>27.2</td> <td>23.0</td> <td></td> <td></td> <td></td> <td></td> </tr> </tbody> </table> <p>For orders larger than indicated quantity, please check with WOS.</p>	Part Number	Type	No.	A1	B1	L1	A2	B2	L2	Unit Price	FRNWTD	25-16	40	27.2	97.2	30	21.7	48.6			40-25	55	42.7	135.2	40	27.2	67.6			50-25	75	40	27.2	23.0									
Part Number	Type	No.	A1	B1	L1	A2	B2	L2	Unit Price																																			
FRNWTD	25-16	40	27.2	97.2	30	21.7	48.6																																					
	40-25	55	42.7	135.2	40	27.2	67.6																																					
	50-25	75	40	27.2	23.0																																							
 <p>RoHS10</p>	FRNWIJ  <p>Max. Operation Temperature: 200°C Material: EN 1.4301 Equiv.</p>																																											
	<table border="1"> <thead> <tr> <th>Part Number</th> <th>Type</th> <th>No.</th> <th>A1</th> <th>A2</th> <th>B</th> <th>C</th> <th>Unit Price</th> </tr> </thead> <tbody> <tr> <td rowspan="5">FRNWIJ</td> <td>25-10</td> <td>40</td> <td>30</td> <td>13.8</td> <td>10.0</td> <td></td> <td></td> </tr> <tr> <td>25-16</td> <td>40</td> <td>30</td> <td>21.7</td> <td>17.5</td> <td></td> <td></td> </tr> <tr> <td>40-16</td> <td>55</td> <td>30</td> <td>21.7</td> <td>17.5</td> <td></td> <td></td> </tr> <tr> <td>40-25</td> <td>55</td> <td>40</td> <td>27.2</td> <td>23.0</td> <td></td> <td></td> </tr> <tr> <td>50-25</td> <td>75</td> <td>40</td> <td>27.2</td> <td>23.0</td> <td></td> <td></td> </tr> </tbody> </table> <p>For orders larger than indicated quantity, please check with WOS.</p>	Part Number	Type	No.	A1	A2	B	C	Unit Price	FRNWIJ	25-10	40	30	13.8	10.0			25-16	40	30	21.7	17.5			40-16	55	30	21.7	17.5			40-25	55	40	27.2	23.0			50-25	75	40	27.2	23.0	
Part Number	Type	No.	A1	A2	B	C	Unit Price																																					
FRNWIJ	25-10	40	30	13.8	10.0																																							
	25-16	40	30	21.7	17.5																																							
	40-16	55	30	21.7	17.5																																							
	40-25	55	40	27.2	23.0																																							
	50-25	75	40	27.2	23.0																																							

Fittings for Vacuum Plumbing

NW (KF) Flanged / JIS Flanged

 <p>RoHS10</p>	FRNWCR  <p>Max. Operation Temperature: 150°C Material Ring: EN 1.4301 Equiv. O-Ring: Fluororubber</p>																																																																			
	<table border="1"> <thead> <tr> <th>Part Number</th> <th>Type</th> <th>No.</th> <th>A</th> <th>B</th> <th>Unit Price</th> </tr> </thead> <tbody> <tr> <td rowspan="4">FRNWCR</td> <td>16</td> <td>17</td> <td>16</td> <td></td> <td></td> </tr> <tr> <td>25</td> <td>26</td> <td>24</td> <td></td> <td></td> </tr> <tr> <td>40</td> <td>41</td> <td>39</td> <td></td> <td></td> </tr> <tr> <td>50</td> <td>52</td> <td>50</td> <td></td> <td></td> </tr> </tbody> </table> <p>FRNWCR16 cannot be used in combination with Vacuum Plumbing No.10. For orders larger than indicated quantity, please check with WOS.</p>	Part Number	Type	No.	A	B	Unit Price	FRNWCR	16	17	16			25	26	24			40	41	39			50	52	50																																										
Part Number	Type	No.	A	B	Unit Price																																																															
FRNWCR	16	17	16																																																																	
	25	26	24																																																																	
	40	41	39																																																																	
	50	52	50																																																																	
 <p>RoHS10</p>	FRNWR  <p>Max. Operation Temperature: 150°C Material Ring: EN 1.4301 Equiv. O-Ring: Fluororubber</p>																																																																			
	<table border="1"> <thead> <tr> <th>Part Number</th> <th>Type</th> <th>No.</th> <th>A</th> <th>B</th> <th>C</th> <th>Unit Price</th> </tr> </thead> <tbody> <tr> <td rowspan="5">FRNWR</td> <td>16</td> <td>17</td> <td>16</td> <td>32.4</td> <td></td> <td></td> </tr> <tr> <td>25</td> <td>26</td> <td>24</td> <td>42</td> <td></td> <td></td> </tr> <tr> <td>40</td> <td>41</td> <td>39</td> <td>56.4</td> <td></td> <td></td> </tr> <tr> <td>50</td> <td>52</td> <td>50</td> <td>70.2</td> <td></td> <td></td> </tr> </tbody> </table> <p>FRNWR can be commonly used for No.10 and 16. For orders larger than indicated quantity, please check with WOS. Features Center rings prevent O-Rings from falling off and suppress deformation.</p>	Part Number	Type	No.	A	B	C	Unit Price	FRNWR	16	17	16	32.4			25	26	24	42			40	41	39	56.4			50	52	50	70.2																																					
Part Number	Type	No.	A	B	C	Unit Price																																																														
FRNWR	16	17	16	32.4																																																																
	25	26	24	42																																																																
	40	41	39	56.4																																																																
	50	52	50	70.2																																																																
	 <p>RoHS10</p>	FRNWC  <p>Max. Operation Temperature: 200°C Material Main Body: Aluminum Thread : EN 1.4301 Equiv.</p>																																																																		
<table border="1"> <thead> <tr> <th>Part Number</th> <th>Type</th> <th>No.</th> <th>d</th> <th>A</th> <th>L</th> <th>T</th> <th>Unit Price</th> </tr> </thead> <tbody> <tr> <td rowspan="5">FRNWC</td> <td>16</td> <td>22</td> <td>56.5</td> <td>61</td> <td>17</td> <td></td> <td></td> </tr> <tr> <td>25</td> <td>32</td> <td>60</td> <td>72</td> <td>17.5</td> <td></td> <td></td> </tr> <tr> <td>40</td> <td>47</td> <td>68</td> <td>90</td> <td>19</td> <td></td> <td></td> </tr> <tr> <td>50</td> <td>63</td> <td>91</td> <td>123</td> <td>26</td> <td></td> <td></td> </tr> </tbody> </table> <p>Commonly used for No.10 and 16. For orders larger than indicated quantity, please check with WOS.</p>		Part Number	Type	No.	d	A	L	T	Unit Price	FRNWC	16	22	56.5	61	17			25	32	60	72	17.5			40	47	68	90	19			50	63	91	123	26																																
Part Number	Type	No.	d	A	L	T	Unit Price																																																													
FRNWC	16	22	56.5	61	17																																																															
	25	32	60	72	17.5																																																															
	40	47	68	90	19																																																															
	50	63	91	123	26																																																															
	 <p>RoHS10</p>	FRNWBFL  <p>Max. Operation Temperature: 200°C Material: EN 1.4301 Equiv.</p>																																																																		
<table border="1"> <thead> <tr> <th>Part Number</th> <th>Type</th> <th>No.</th> <th>A</th> <th>B</th> <th>C</th> <th>D</th> <th>T</th> <th>Unit Price</th> </tr> </thead> <tbody> <tr> <td rowspan="5">FRNWBFL</td> <td>10</td> <td>30</td> <td>12.2</td> <td>6.0</td> <td></td> <td rowspan="5">2.5</td> <td rowspan="5">5</td> <td rowspan="5"></td> </tr> <tr> <td>16</td> <td>30</td> <td>17.2</td> <td>11.0</td> <td></td> </tr> <tr> <td>25</td> <td>40</td> <td>26.2</td> <td>20.0</td> <td></td> </tr> <tr> <td>40</td> <td>55</td> <td>41.2</td> <td>35.0</td> <td></td> </tr> <tr> <td>50</td> <td>75</td> <td>52.2</td> <td>46.0</td> <td></td> </tr> </tbody> </table> <p>For orders larger than indicated quantity, please check with WOS.</p>		Part Number	Type	No.	A	B	C	D	T	Unit Price	FRNWBFL	10	30	12.2	6.0		2.5	5		16	30	17.2	11.0		25	40	26.2	20.0		40	55	41.2	35.0		50	75	52.2	46.0																														
Part Number	Type	No.	A	B	C	D	T	Unit Price																																																												
FRNWBFL	10	30	12.2	6.0		2.5	5																																																													
	16	30	17.2	11.0																																																																
	25	40	26.2	20.0																																																																
	40	55	41.2	35.0																																																																
	50	75	52.2	46.0																																																																
 <p>RoHS10</p>	FRVVF  <p>Max. Operation Temperature: 200°C Material: EN 1.4301 Equiv.</p>																																																																			
	<table border="1"> <thead> <tr> <th>Part Number</th> <th>Type</th> <th>No.</th> <th>D</th> <th>P.C.D</th> <th>T</th> <th>d</th> <th>Hole Machined Type</th> <th>Unit Price</th> </tr> </thead> <tbody> <tr> <td rowspan="5">FRVVF</td> <td>10A</td> <td>70</td> <td>50</td> <td>8</td> <td>10</td> <td>17.8</td> <td>E1</td> <td>FRVVF</td> </tr> <tr> <td>20A</td> <td>80</td> <td>60</td> <td>8</td> <td>10</td> <td>27.7</td> <td></td> <td>FRVFA</td> </tr> <tr> <td>25A</td> <td>90</td> <td>70</td> <td>8</td> <td>10</td> <td>34.4</td> <td></td> <td></td> </tr> <tr> <td>40A</td> <td>105</td> <td>85</td> <td>10</td> <td>10</td> <td>49.1</td> <td></td> <td></td> </tr> <tr> <td>50A</td> <td>120</td> <td>100</td> <td>10</td> <td>10</td> <td>61.1</td> <td></td> <td></td> </tr> </tbody> </table> <p>For orders larger than indicated quantity, please check with WOS.</p>	Part Number	Type	No.	D	P.C.D	T	d	Hole Machined Type	Unit Price	FRVVF	10A	70	50	8	10	17.8	E1	FRVVF	20A	80	60	8	10	27.7		FRVFA	25A	90	70	8	10	34.4			40A	105	85	10	10	49.1			50A	120	100	10	10	61.1																			
Part Number	Type	No.	D	P.C.D	T	d	Hole Machined Type	Unit Price																																																												
FRVVF	10A	70	50	8	10	17.8	E1	FRVVF																																																												
	20A	80	60	8	10	27.7		FRVFA																																																												
	25A	90	70	8	10	34.4																																																														
	40A	105	85	10	10	49.1																																																														
	50A	120	100	10	10	61.1																																																														
 <p>RoHS10</p>	FRVVG  <p>Max. Operation Temperature: 200°C Material: EN 1.4301 Equiv.</p>																																																																			
	<table border="1"> <thead> <tr> <th>Part Number</th> <th>Type</th> <th>No.</th> <th>D</th> <th>P.C.D</th> <th>T</th> <th>d</th> <th>G1</th> <th>G2</th> <th>Hole Machined Type</th> <th>Applicable O-Ring Size</th> <th>Unit Price</th> </tr> </thead> <tbody> <tr> <td rowspan="5">FRVVG</td> <td>10A</td> <td>70</td> <td>50</td> <td>8</td> <td>10</td> <td>24</td> <td>34</td> <td>17.8</td> <td>V24</td> <td></td> <td></td> </tr> <tr> <td>20A</td> <td>80</td> <td>60</td> <td>8</td> <td>10</td> <td>34</td> <td>44</td> <td>27.7</td> <td>V34</td> <td></td> <td></td> </tr> <tr> <td>25A</td> <td>90</td> <td>70</td> <td>8</td> <td>10</td> <td>40</td> <td>50</td> <td>34.4</td> <td>V40</td> <td></td> <td></td> </tr> <tr> <td>40A</td> <td>105</td> <td>85</td> <td>10</td> <td>10</td> <td>55</td> <td>65</td> <td>49.1</td> <td>V55</td> <td></td> <td></td> </tr> <tr> <td>50A</td> <td>120</td> <td>100</td> <td>10</td> <td>10</td> <td>70</td> <td>80</td> <td>61.1</td> <td>V70</td> <td></td> <td></td> </tr> </tbody> </table> <p>For orders larger than indicated quantity, please check with WOS.</p>	Part Number	Type	No.	D	P.C.D	T	d	G1	G2	Hole Machined Type	Applicable O-Ring Size	Unit Price	FRVVG	10A	70	50	8	10	24	34	17.8	V24			20A	80	60	8	10	34	44	27.7	V34			25A	90	70	8	10	40	50	34.4	V40			40A	105	85	10	10	55	65	49.1	V55			50A	120	100	10	10	70	80	61.1	V70	
Part Number	Type	No.	D	P.C.D	T	d	G1	G2	Hole Machined Type	Applicable O-Ring Size	Unit Price																																																									
FRVVG	10A	70	50	8	10	24	34	17.8	V24																																																											
	20A	80	60	8	10	34	44	27.7	V34																																																											
	25A	90	70	8	10	40	50	34.4	V40																																																											
	40A	105	85	10	10	55	65	49.1	V55																																																											
	50A	120	100	10	10	70	80	61.1	V70																																																											

Ordering Example Part Number FRNWC25



Features
These vacuum pipes are for auxiliary exhaust system of High Vacuum System or rough vacuum fitting of an Ultrahigh Vacuum System. The plumbing parts of NW (KF) Flanged Type enables frequent detachment without tools compliant with ISO or KF.

Specifications
Dimensions and shapes are compliant with ISO2861/1-1974 - JISB8365: 1988.